

THIS DRAWING IS UNPUBLISHED. RELEASED FOR PUBLICATION  
 © COPYRIGHT - By - ALL RIGHTS RESERVED.

LOC		DIST		REVISIONS			
P	LTR	DESCRIPTION		DATE	DWN	APVD	
	Z2	REVISED PER ECO-11-004587		11MAR11	RK	HMR	

- FOR ADDITIONAL SPECIFICATIONS SEE AMP PRODUCT SPEC 108-7519.
- SWITCH HAS MAKE-BEFORE-BREAK OPERATION.
- ALL CHARACTERS AND ROCKERS ARE WHITE, HOUSING IS BLACK.
- STAMPING WILL VARY ON 2 POSITION SIDES DUE TO SPACE RESTRICTIONS.
- .315 DIMENSION APPLIES AT TERMINAL TIPS. TERMINALS ARE .300 +.010 AT MOUNTING SURFACE. -.000
- SWITCH POSITIONS ARE CLOSED WHEN ROCKERS ARE DOWN TOWARD DOTS.
- ALL MATERIALS AND FINISHES SHALL COMPLY WITH EU DIRECTIVE 2002/95/EC OF 27JAN2003 (ROHS).
- OBSOLETE PARTS: OBSOLETE CIS STREAMLINING PER D.RENAUD/D.SINISI

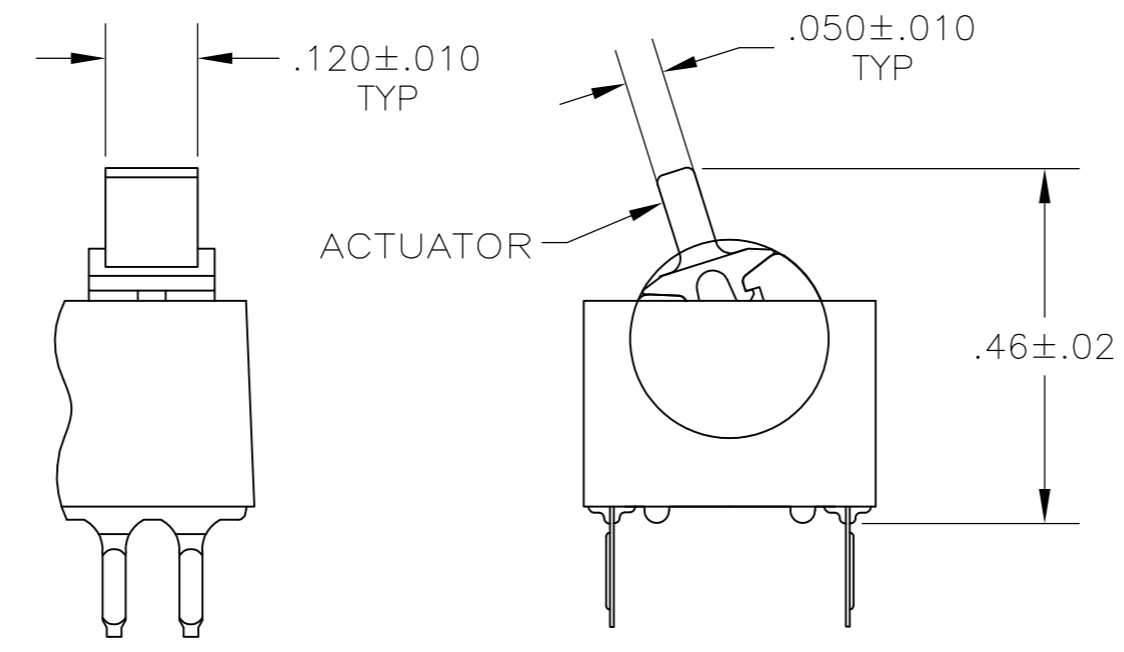
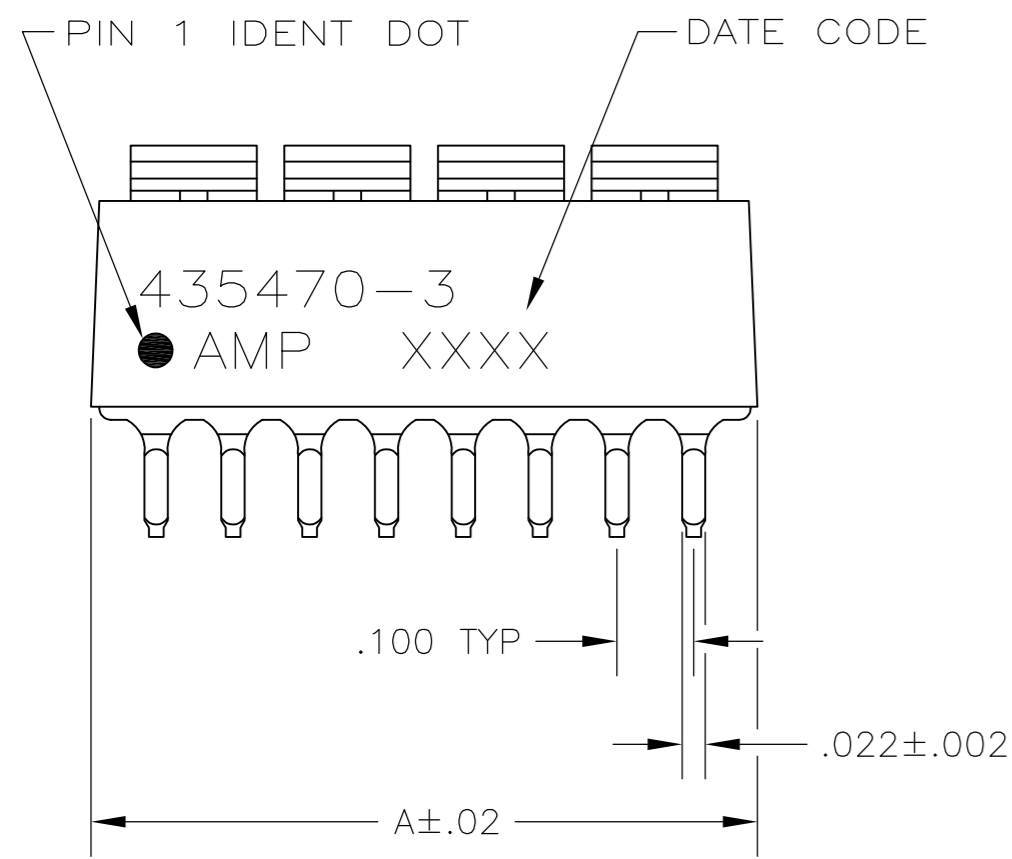
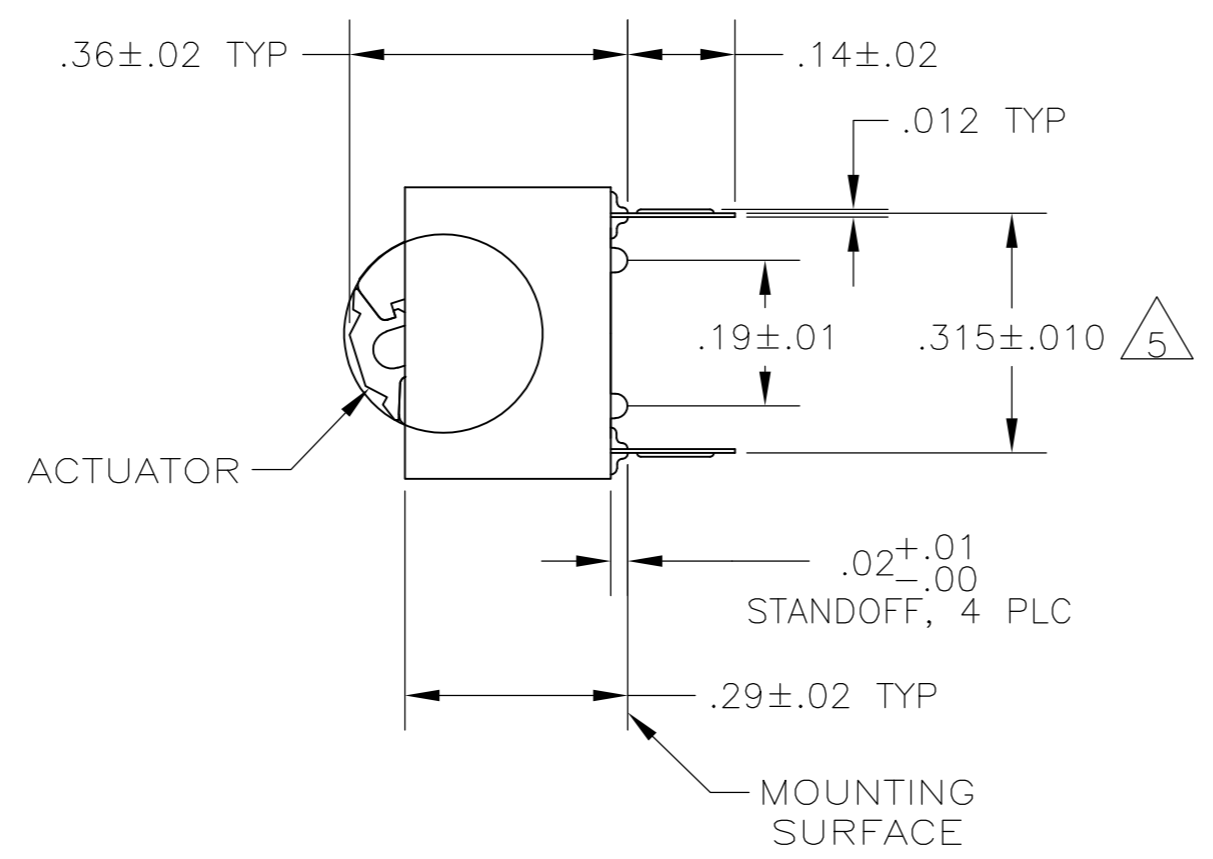
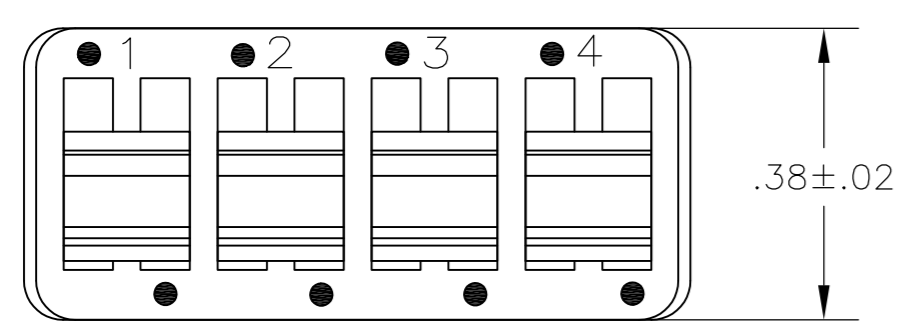


FIGURE 1  
LEVER ACTUATOR SHOWN

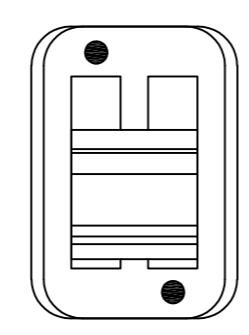
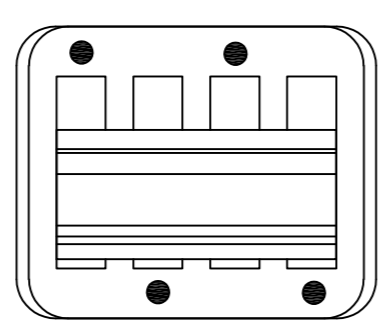
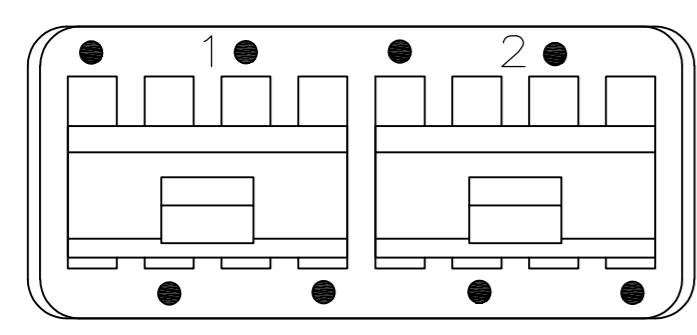
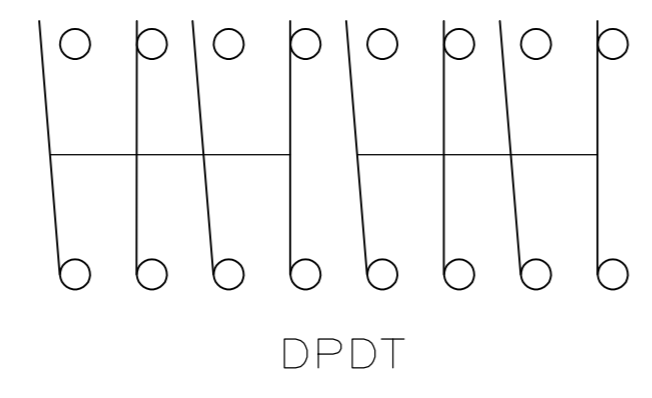
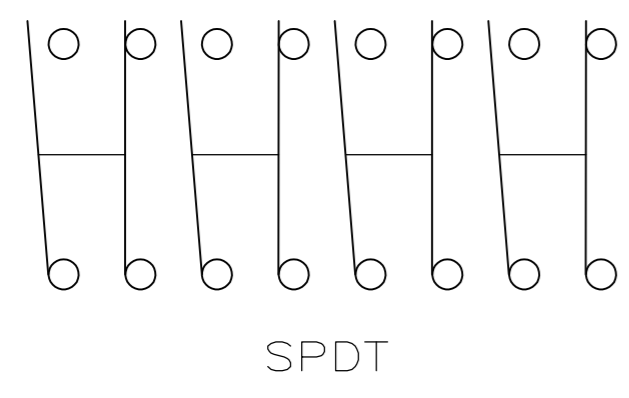


FIGURE 2

FIGURE 3

FIGURE 4



SPDT

DPDT

CONTACT ARRANGEMENT

	FIG 1	FIG 3					
OBSOLETE	FIG 1	FIG 3	.48	DPDT	4	8-435470-1	(triangle 8)
(triangle 8)	-FIG 1	AS SHOWN	1.28	SPDT	12	7-435470-6	(triangle 8)
(triangle 8)	-FIG 1	AS SHOWN	1.08	SPDT	10	7-435470-5	(triangle 8)
(triangle 8)	-FIG 1	AS SHOWN	.88	SPDT	8	7-435470-4	(triangle 8)
(triangle 8)	-FIG 1	AS SHOWN	.48	SPDT	4	7-435470-2	(triangle 8)
(triangle 8)	FIG 1	FIG 4	.28	SPDT	2	7-435470-1	(triangle 8)
(triangle 8)	AS SHOWN	FIG 2	.88	DPDT	8	5-435470-9	(triangle 8)
(triangle 8)	AS SHOWN	FIG 4	.28	SPDT	2	5-435470-7	(triangle 8)
(triangle 8)	AS SHOWN	FIG 3	.48	DPDT	4	5-435470-5	(triangle 8)
(triangle 8)	AS SHOWN	AS SHOWN	.88	SPDT	8	5-435470-3	(triangle 8)
(triangle 8)	AS SHOWN	AS SHOWN	.68	SPDT	6	5-435470-2	(triangle 8)
(triangle 8)	AS SHOWN	AS SHOWN	.48	SPDT	4	5-435470-1	(triangle 8)
SUPERSEDED BY 435470-9							
(triangle 8)	FIG 1	FIG 2	1.28	DPDT	12	3-435470-3	(triangle 8)
(triangle 8)	FIG 1	FIG 2	.88	DPDT	8	3-435470-2	(triangle 8)
(triangle 8)	FIG 1	FIG 3	.48	DPDT	4	3-435470-1	(triangle 8)
(triangle 8)	FIG 1	NONE	.88	SPDT	8	2-435470-7	(triangle 8)
(triangle 8)	-FIG 1	AS SHOWN	1.28	SPDT	12	2-435470-6	(triangle 8)
(triangle 8)	-FIG 1	AS SHOWN	1.08	SPDT	10	2-435470-5	(triangle 8)
(triangle 8)	FIG 1	AS SHOWN	.88	SPDT	8	2-435470-4	(triangle 8)
(triangle 8)	FIG 1	AS SHOWN	.68	SPDT	6	2-435470-3	(triangle 8)
(triangle 8)	-FIG 1	AS SHOWN	.48	SPDT	4	2-435470-2	(triangle 8)
(triangle 8)	-FIG 1	FIG 4	.28	SPDT	2	2-435470-1	(triangle 8)
(triangle 8)	AS SHOWN	FIG 2	.88	DPDT	8	435470-9	(triangle 8)
(triangle 8)	AS SHOWN	AS SHOWN	1.28	SPDT	12	435470-8	(triangle 8)
(triangle 8)	AS SHOWN	FIG 4	.28	SPDT	2	435470-7	(triangle 8)
(triangle 8)	AS SHOWN	FIG 3	.48	DPDT	4	435470-5	(triangle 8)
(triangle 8)	AS SHOWN	AS SHOWN	1.08	SPDT	10	435470-4	(triangle 8)
(triangle 8)	AS SHOWN	AS SHOWN	.88	SPDT	8	435470-3	(triangle 8)
(triangle 8)	AS SHOWN	AS SHOWN	.68	SPDT	6	435470-2	(triangle 8)
(triangle 8)	AS SHOWN	AS SHOWN	.48	SPDT	4	435470-1	(triangle 8)

435470-3 SHOWN

THIS DRAWING IS A CONTROLLED DOCUMENT.		DWN R.TALLEY 15MAR90		
DIMENSIONS: INCHES		CHK R.MILLER 27MAR90		
TOLERANCES UNLESS OTHERWISE SPECIFIED:		APVD H.LEITER 27MAR90	NAME	
0 PLC ± - 1 PLC ± - 2 PLC ± - 3 PLC ± .005 4 PLC ± - ANGLES ± -		PRODUCT SPEC	SWITCH ASSY, DIP, TYPE C, 7000 SERIES, SPDT & DPDT	
MATERIAL HOUSING & ROCKER; POLYESTER CONTACTS; BERYLLIUM COPPER		FINISH CONTACTS; PLATED .00030 MIN GOLD IN CONTACT AREA OVER .00050 MIN NICKEL.	APPLICATION SPEC	RESTRICTED TO
WEIGHT -		SCALE A2	CAGE CODE 00779	DRAWING NO C=435470
CUSTOMER DRAWING		SCALE 4:1	SHEET 1 of 1	REV Z2